

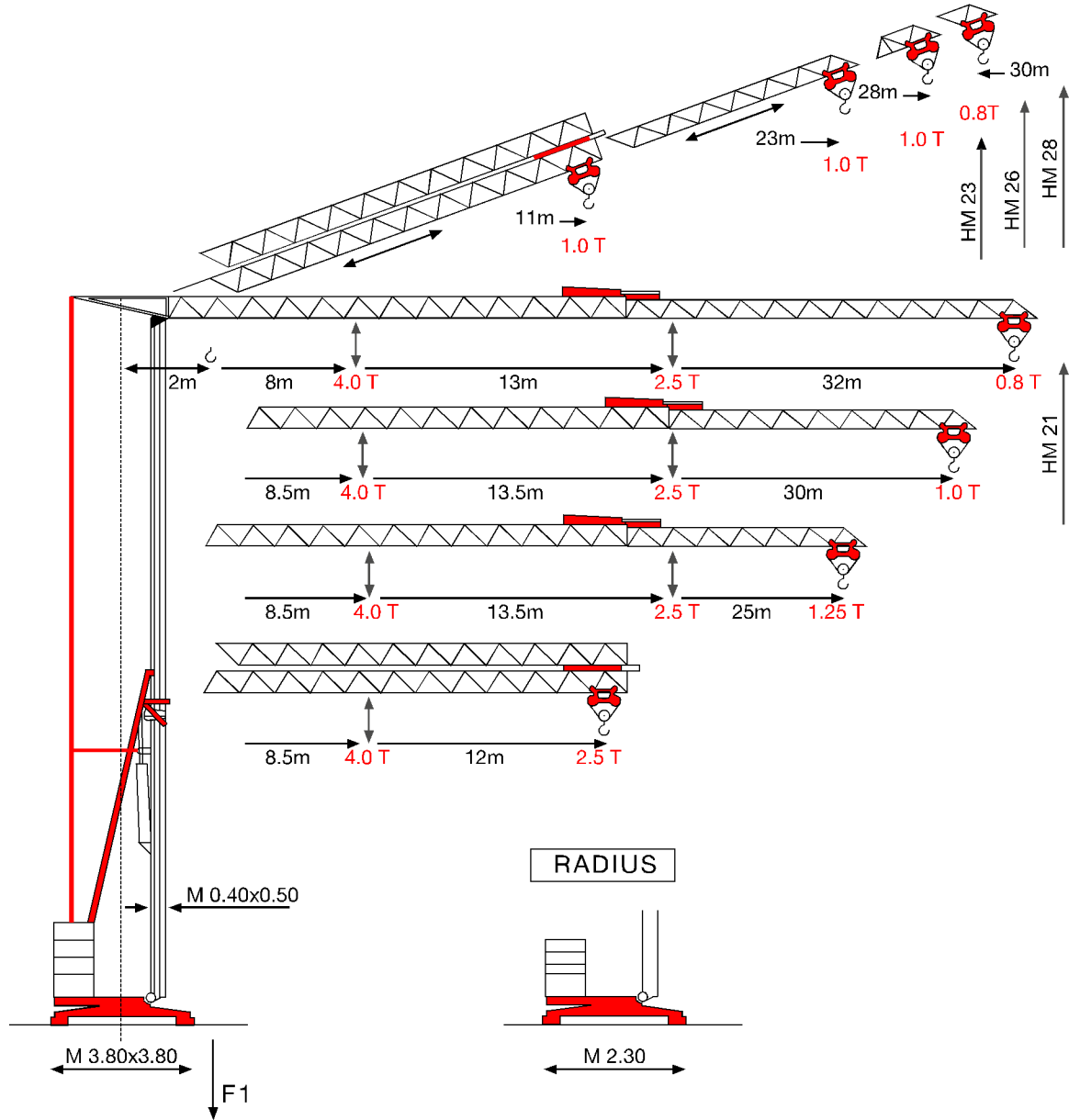
AUTOMATIC CRANE

AF-32 Super

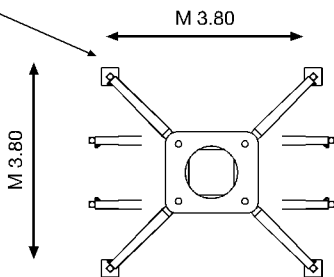


FERING

Bosnia & Herzegovina
 phone: +387(0)35 704 950
 fax: +387(0)35 704 952
 e-mail: info@fering.com.ba
 web: www.fering.com.ba



CONCRETE 99x99x25 CM
 FOR GROUND 2KG/CM2



F1	● KG 19000	■ 11300
	HG 12000/19000	
■	KG 15000	

- IN SERVICE
- OUT OF SERVICE
- ⊕ WEIGHT WITHOUT & WITH STANDARD BALLAST
- ADDITIONAL BALLAST

AUTOMATIC CRANE

AF-32 Super



FERING

Bosnia & Herzegovina
 phone: +387(0)35 704 950
 fax: +387(0)35 704 952
 e-mail: info@fering.com.ba
 web: www.fering.com.ba



MECHANISM

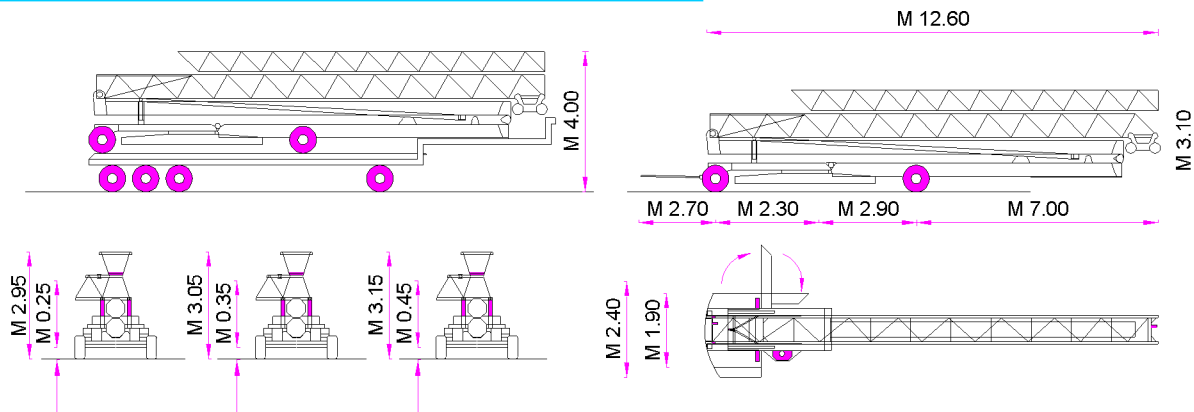
Diagram	KW	M/1'	Diagram	KW	M/1'	KG
		4/3				
	2,2	0 - 0,9	II	20	2500	
	2,2	2	III	40	1000	
			I	2,5	4000	
			II	10	4000	
			III	20	2000	

♦ 8,8/8,8/2,2 (115-3VS)

POWER SUPPLY	V 380 / 50 HZ	KEYBOARD	♦
TRANSPORT UNDERCARRIAGE		HYDRAULIC ERECTION	BAR 110 280 ▶
INSTALLED POWER	KW 18	STANDARD BALLAST	- KG 7000
JIB IN OBLIQUE POSITION		ADDITIONAL BALLAST	- KG 15000 ♦
BALLAST DERRICK	♦	TOWER AND JIB GALVANIZATION	

ON REQUEST ♦

TRANSPORT



CRANE BASE INFO

Crane AF 32 Super is the latest generation with the rotation in the lower part and with the hydraulics or automatic montage.
 It is used for reconstruction, construction of buildings up to 6 floors and can be used as a service crane on building sites.
 Mounting is simple and lasting only 11 minutes.
 The transport is possible with only one means of transportation without disassembling any portion of the crane.
 Thanks to the new technological solutions, careful construction without cost savings, this is the latest and best product of this type of crane.